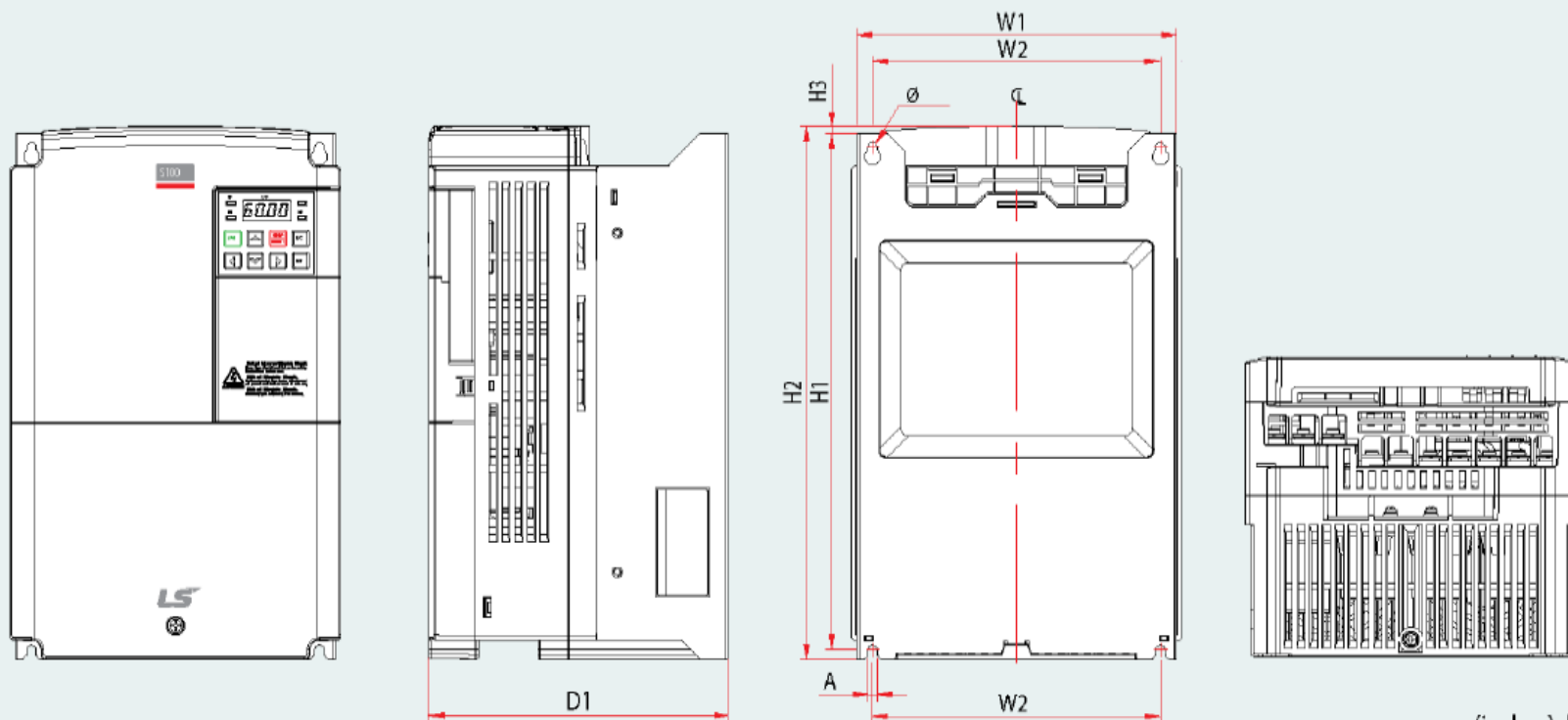


LSLV0110S100-2 / 0110S100-4 / 0150S100-4



mm(inches), kg

Typ měniče	W1	W2	H1	H2	H3	D1	A	Ø	Hmotnost
LSLV0110S100-2	180 (7.09)	157 (6.18)	290 (11.4)	273.7 (10.8)	11.3 (0.44)	163 (6.42)	5 (0.20)	5 (0.20)	4.6
LSLV0110S100-4	180 (7.09)	157 (6.18)	290 (11.4)	273.7 (10.8)	11.3 (0.44)	163 (6.42)	5 (0.20)	5 (0.20)	4.6 / 4.8
LSLV0150S100-4	180 (7.09)	157 (6.18)	290 (11.4)	273.7 (10.8)	11.3 (0.44)	163 (6.42)	5 (0.20)	5 (0.20)	4.6 / 4.8