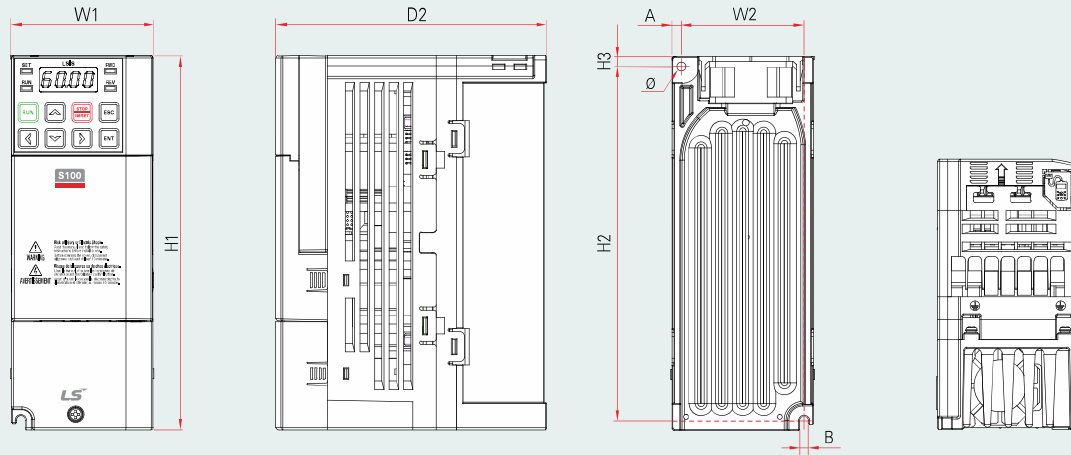


LSLV0004S100-1 / 0004S100-4 / 0008S100-4 (Built-in EMC)



Unit : mm(inches), kg

Drive capacity	W1	W2	H1	H2	H3	D1	A	B	Ø	weight
LSLV-0004S100-1 ¹⁾	68 (2.68)	63.5 (2.5)	180 (7.09)	170.5 (6.71)	5 (0.20)	130 (5.12)	4.5 (0.18)	4.5 (0.18)	4.2 (0.17)	1.1
LSLV-0004S100-4 ¹⁾	68 (2.68)	63.5 (2.5)	180 (7.09)	170.5 (6.71)	5 (0.20)	130 (5.12)	4.5 (0.18)	4.5 (0.18)	4.2 (0.17)	1.2
LSLV-0008S100-4 ¹⁾	68 (2.68)	63.5 (2.5)	180 (7.09)	170.5 (6.71)	5 (0.20)	130 (5.12)	4.5 (0.18)	4.5 (0.18)	4.2 (0.17)	1.2

¹⁾ EMC filter built-in Class 3